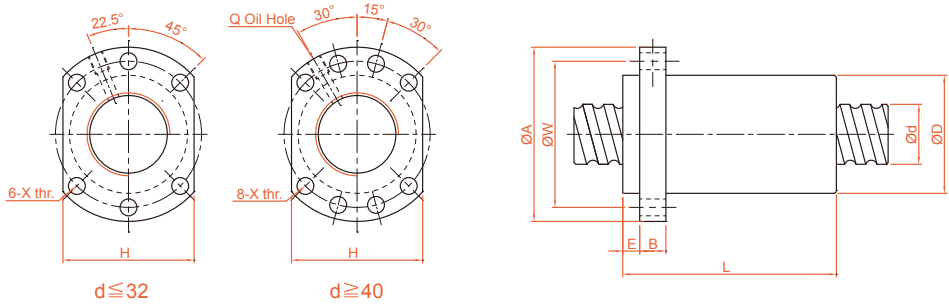


# TBI MOTION BALL SCREW

## 2-4 Rolled Ball Screw Series

SFA (DIN 69051 FORM B) Series Specifications



Unit : mm

Model No.	d	l	Da	Dimension										Load Rating		K kgf/ µm
				D	A	E	B	L	W	H	X	Q	n	Ca (kgf)	C0a (kgf)	
SFA01205-2.8	12	5	2.5	24	40	5	10	30	32	30	4.5	-	2.8×1	661	1316	19
SFA01210-2.8		10	2.5	24	40	5	10	42	32	30	4.5	-	2.8×1	642	1287	19
SFA01605-3.8	15	5	2.778	28	48	5	10	31	38	40	5.5	M6	3.8×1	1112	2507	30
SFA01610-2.8		10	2.778	28	48	5	10	42	38	40	5.5	M6	2.8×1	839	1821	23
SFA01616-1.8	15	16	2.778	28	48	5	10	43	38	40	5.5	M6	1.8×1	552	1137	14
SFA01616-2.8		16	2.778	28	48	5	10	59	38	40	5.5	M6	2.8×1	808	1769	22
SFA01620-1.8	20	2.778	28	48	5	10	50	38	40	5.5	M6	1.8×1	554	1170	14	
SFA02005-3.8	20	5	3.175	36	58	7	10	33	47	44	6.6	M6	3.8×1	1484	3681	37
SFA02010-3.8		10	3.175	36	58	7	10	52	47	44	6.6	M6	3.8×1	1516	3833	40
SFA02020-1.8	20	20	3.175	36	58	7	10	52	47	44	6.6	M6	1.8×1	764	1758	19
SFA02020-2.8		20	3.175	36	58	7	10	72	47	44	6.6	M6	2.8×1	1118	2734	29
SFA02505-3.8	25	5	3.175	40	62	7	10	33	51	48	6.6	M6	3.8×1	1650	4658	43
SFA02510-3.8		10	3.175	40	62	7	12	52	51	48	6.6	M6	3.8×1	1638	4633	45
SFA02525-1.8	25	25	3.175	40	62	7	12	60	51	48	6.6	M6	1.8×1	843	2199	22
SFA02525-2.8		25	3.175	40	62	7	12	85	51	48	6.6	M6	2.8×1	1232	3421	34
SFA03205-3.8	32	5	3.175	50	80	9	12	35	65	62	9	M6	3.8×1	1839	6026	51
SFA03210-3.8	31	10	3.969	50	80	9	12	53	65	62	9	M6	3.8×1	2460	7255	55
SFA03220-2.8		20	3.969	50	80	9	12	72	65	62	9	M6	2.8×1	1907	5482	43
SFA03232-1.8	32	32	3.969	50	80	9	12	78	65	62	9	M6	1.8×1	1257	3426	27
SFA03232-2.8		32	3.969	50	80	9	12	110	65	62	9	M6	2.8×1	1838	5329	42
SFA04005-3.8	40	5	3.175	63	93	9	14	39	78	70	9	M8	3.8×1	2018	7589	60
SFA04010-3.8	38	10	6.35	63	93	9	14	57	78	70	9	M8	3.8×1	5035	13943	67
SFA04020-2.8		20	6.35	63	93	9	14	78	78	70	9	M8	2.8×1	3959	10715	54
SFA04040-1.8	40	40	6.35	63	93	9	14	96	78	70	9	M8	1.8×1	2585	6648	34
SFA04040-2.8		40	6.35	63	93	9	14	136	78	70	9	M8	2.8×1	3780	10341	52
SFA05005-3.8	50	5	3.175	75	110	10.5	15	42	93	85	11	M8	3.8×1	2207	9542	68
SFA05010-3.8	48	10	6.35	75	110	10.5	18	57	93	85	11	M8	3.8×1	5638	17852	79
SFA05020-3.8		20	6.35	75	110	10.5	18	98	93	85	11	M8	3.8×1	5749	18485	87
SFA05050-1.8	50	50	6.35	75	110	10.5	18	117	93	85	11	M8	1.8×1	2946	8749	42
SFA05050-2.8		50	6.35	75	110	10.5	18	167	93	85	11	M8	2.8×1	4308	13610	65

※Please contact TBI MOTION if the marked types (●) are required.